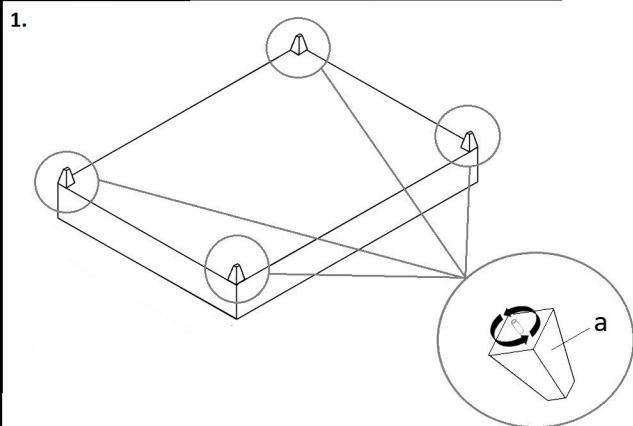
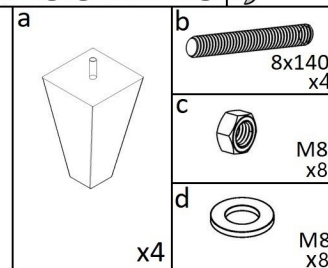
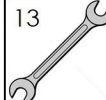


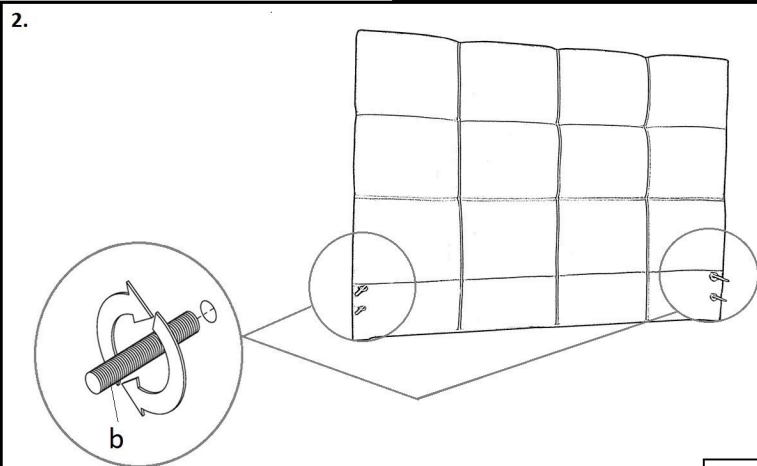
Ver.23.06.2020.

TINA fr. krevet 200x140

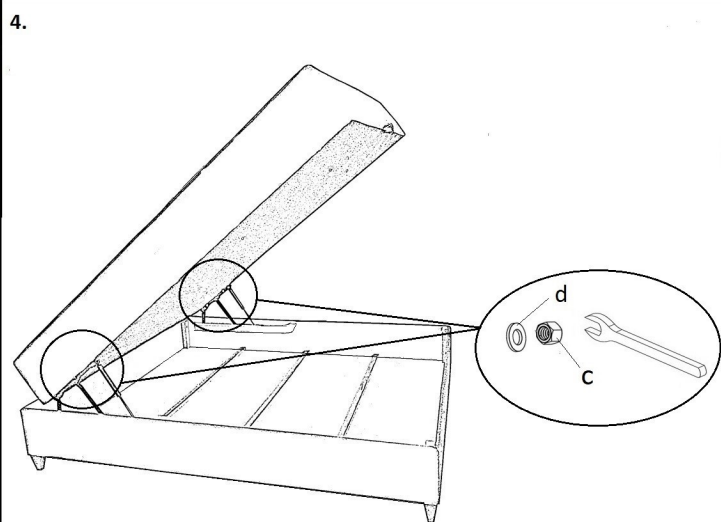
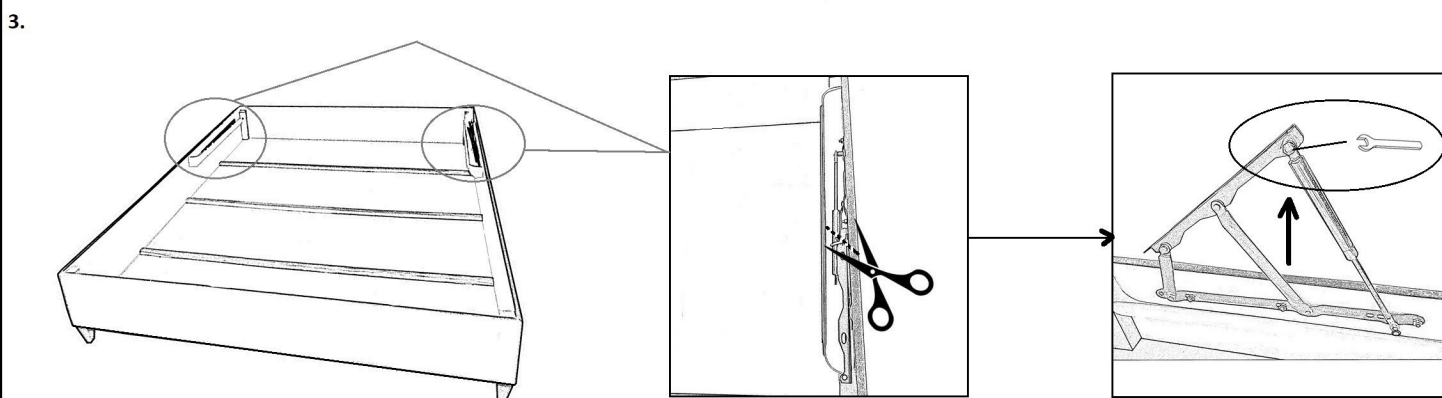
13



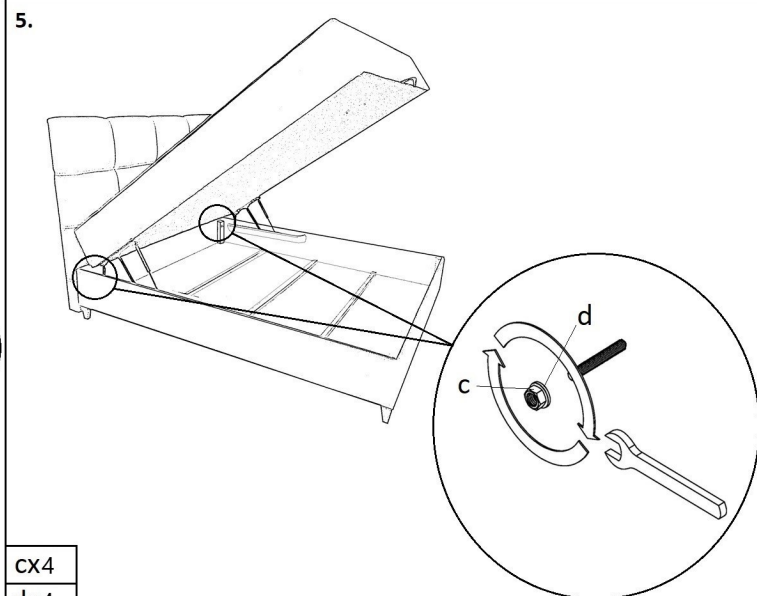
ax4



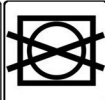
bx4



dx4
cx4



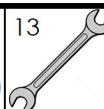
cx4
dx4



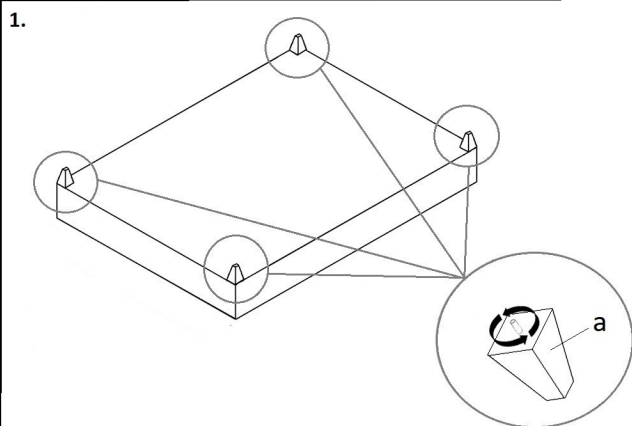
Ver.23.06.2020.

TINA fr. krevet 200x160

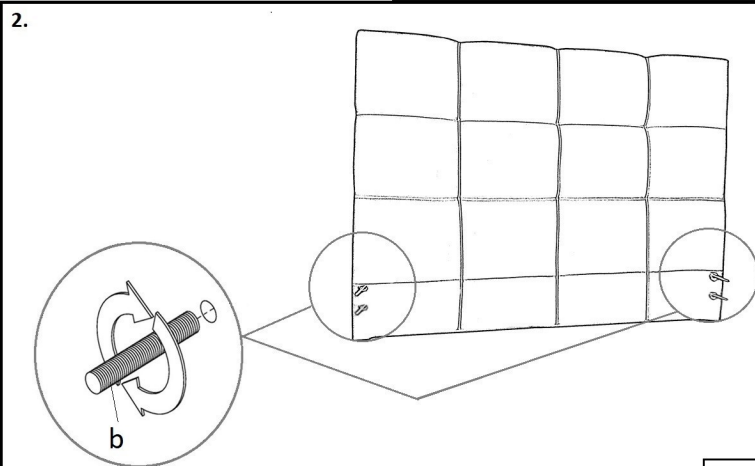
13



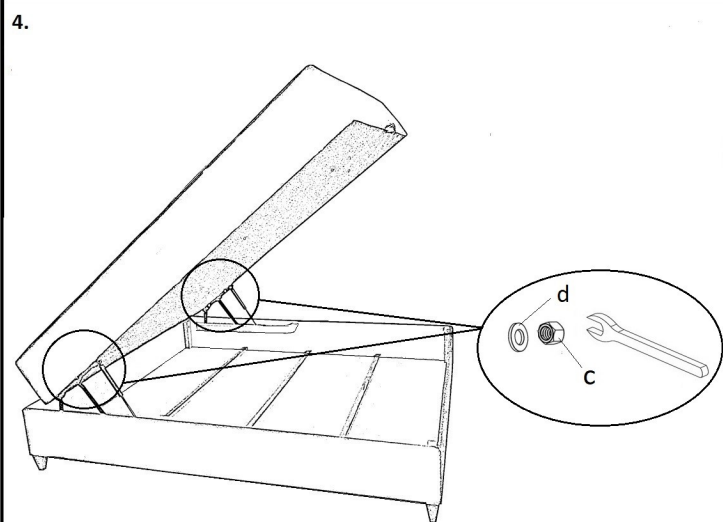
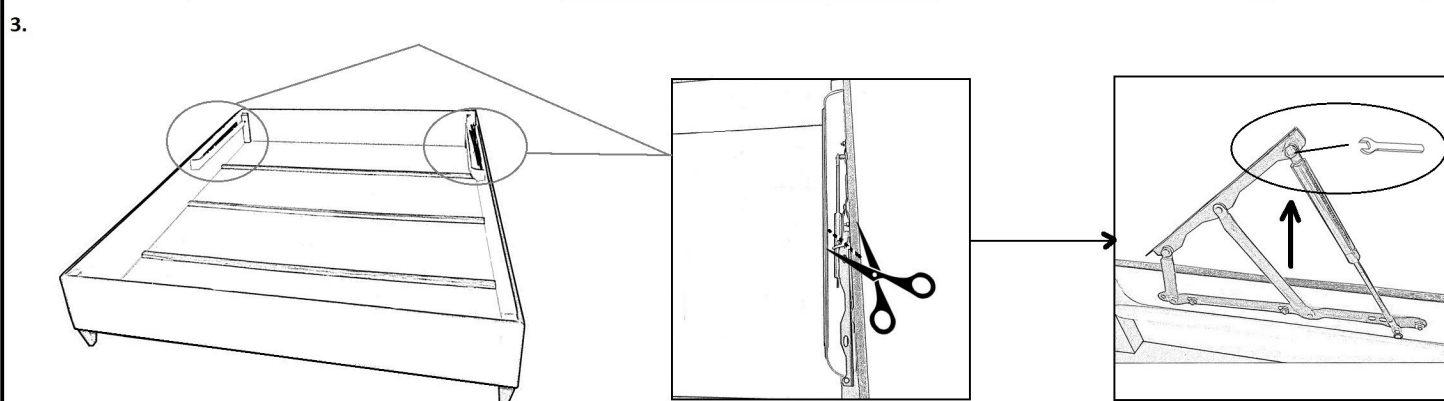
a	b
	8x140 x4
	c
	M8 x8
	d
x4	M8 x8



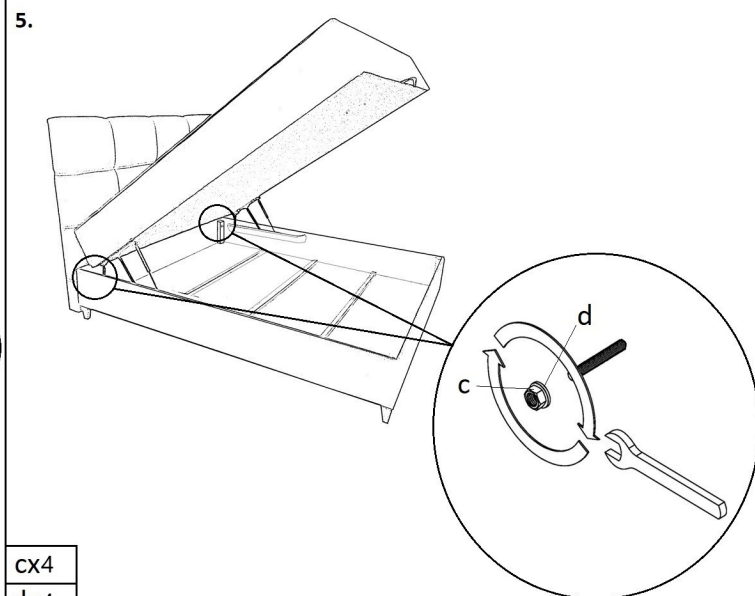
ax4



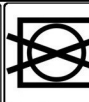
bx4



dx4
cx4



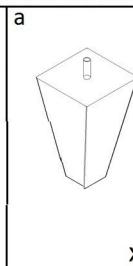
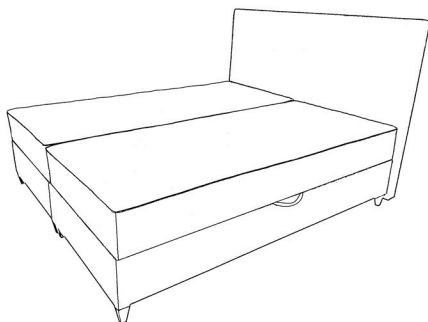
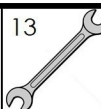
cx4
dx4



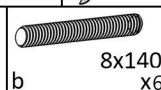
Ver. 11.08.2020.

TINA fr. krevet 200x180

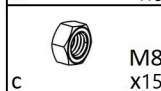
13



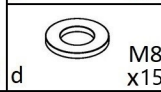
x8



8x140
x6



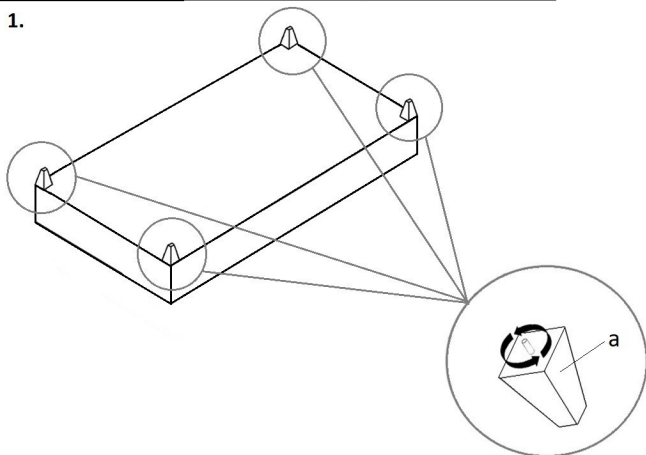
M8
x15



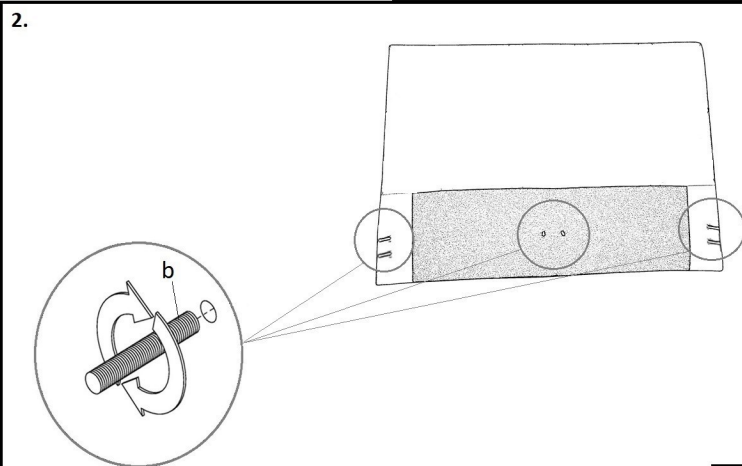
M8
x15



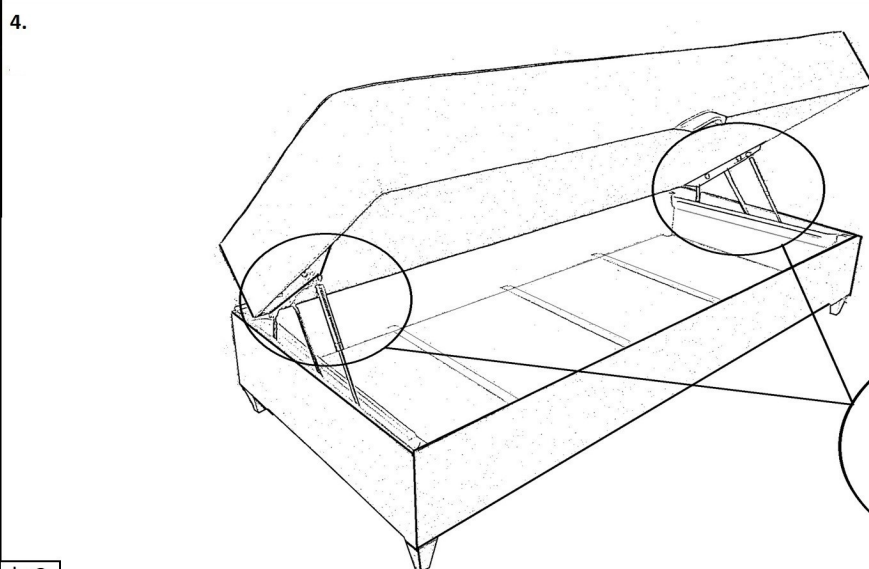
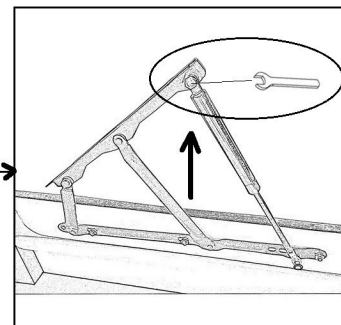
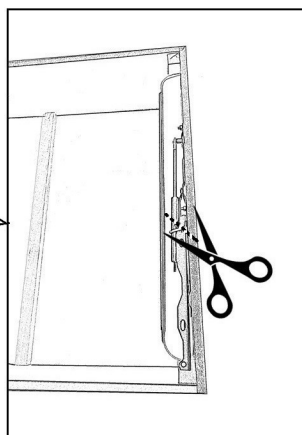
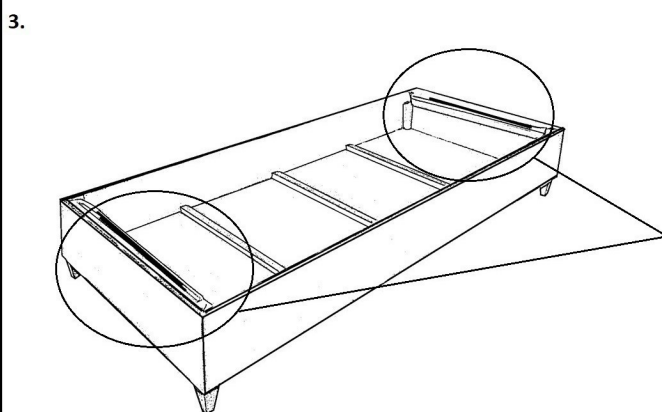
T8x50
x1



a x8



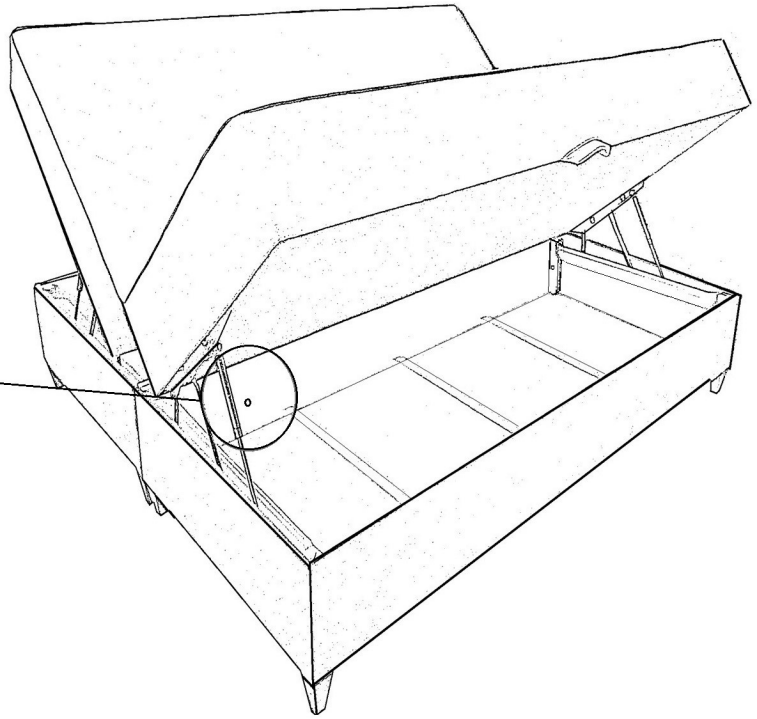
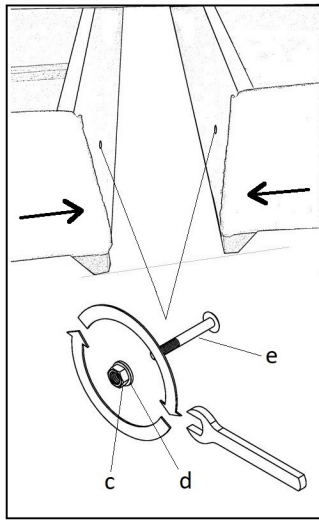
b x6



d x8

c x8

5.

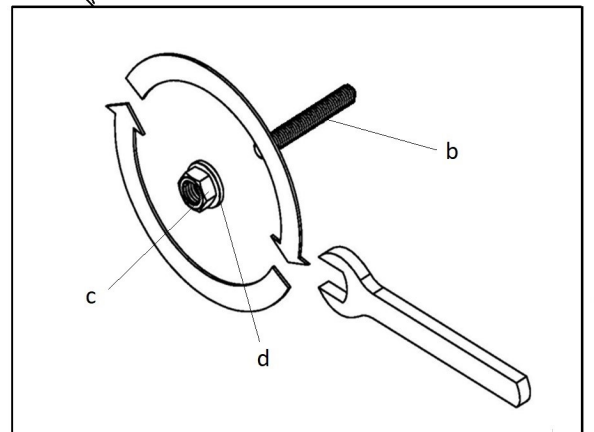
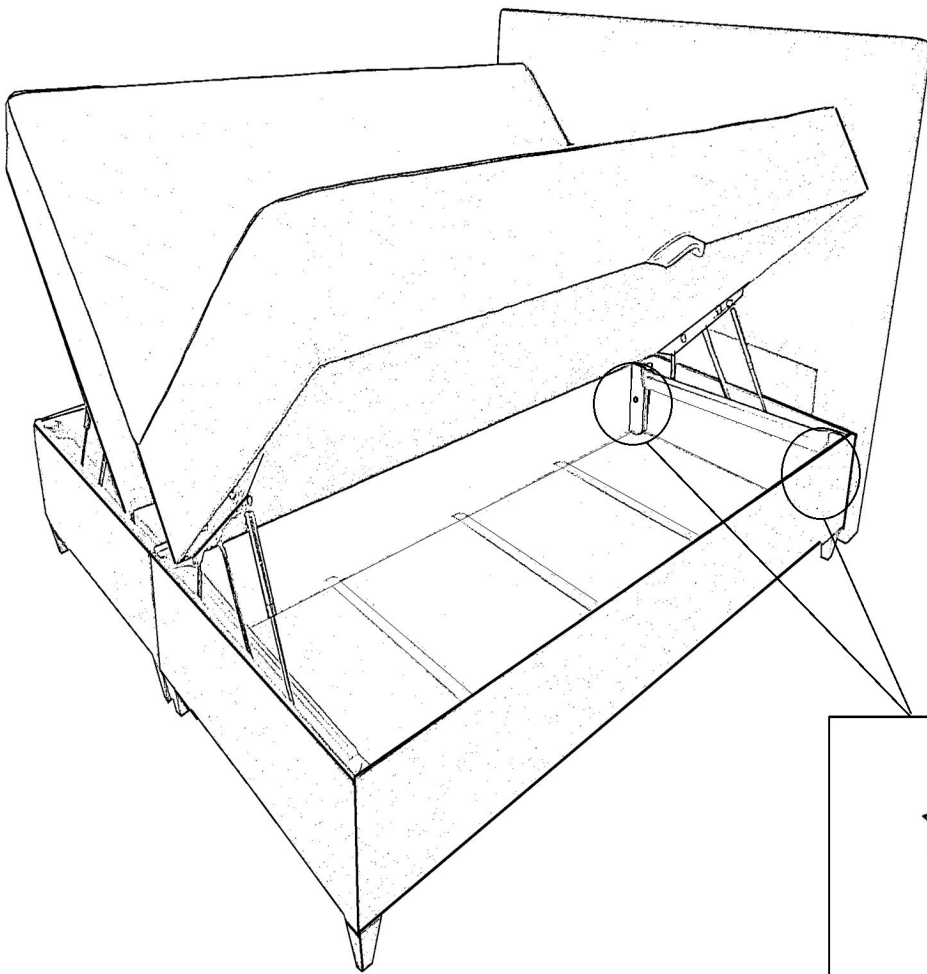


c x1

d x1

e x1

6.



b x6

c x6

d x6