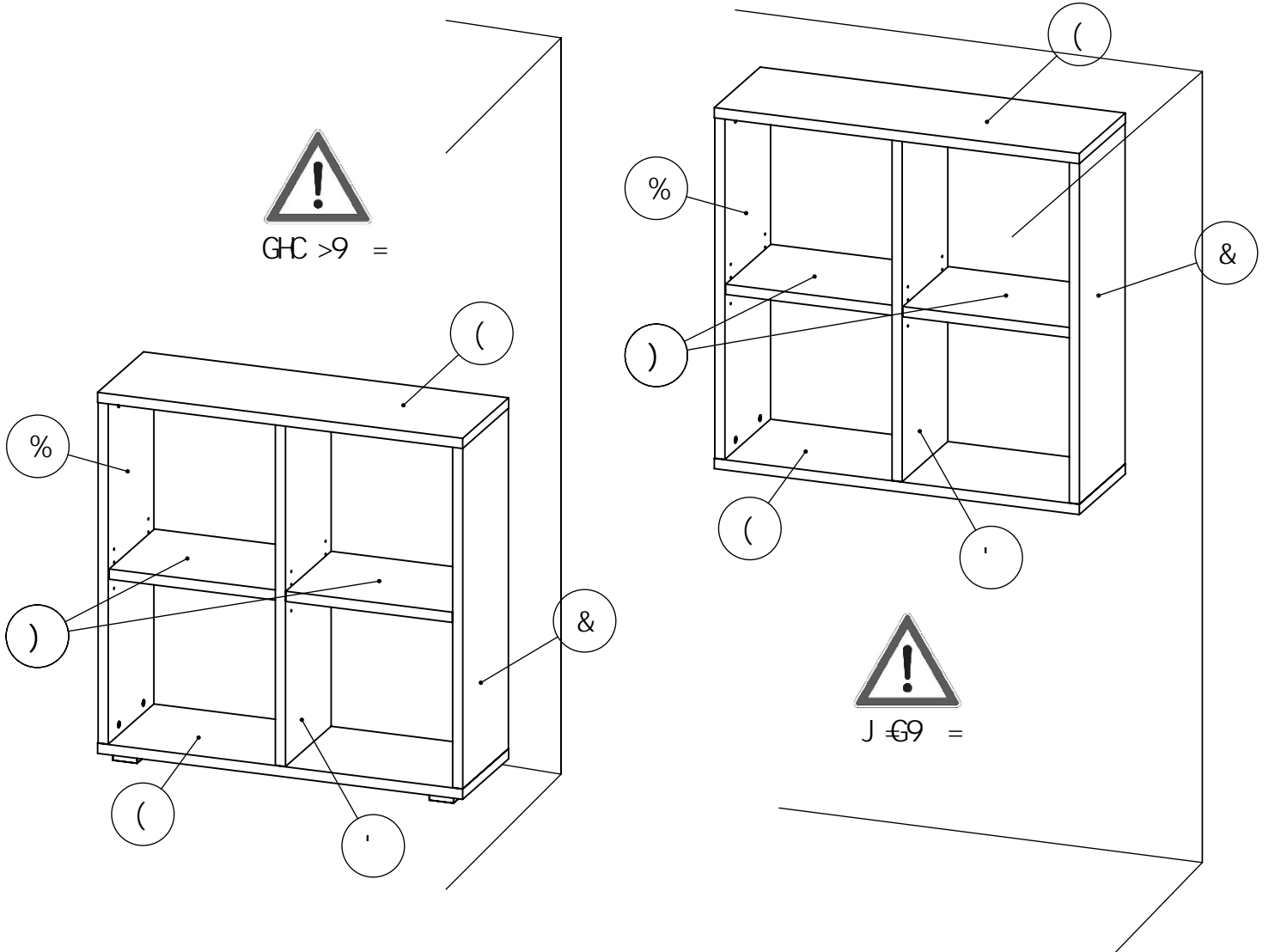
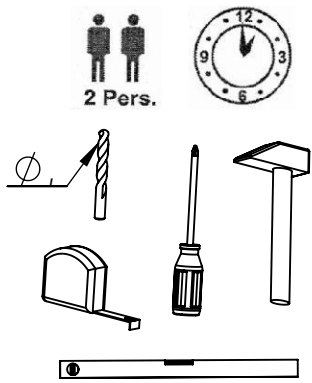




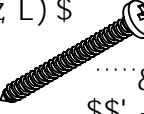
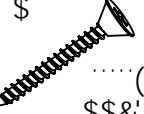
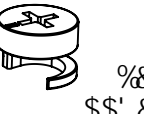
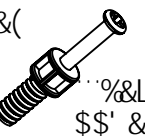
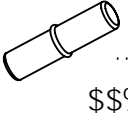
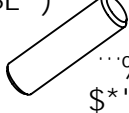
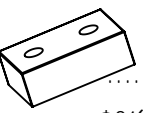
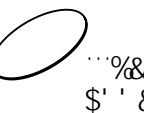

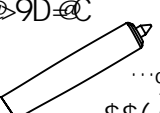
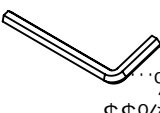
DC @= 5F' - \$L - \$'C HJ C F 9B =H99BG



- % @Yj U gfrUb]WU
- &" 8YgpU gfrUb]WU
- ' " J Yfh_L_U`U
- (" Dc Xž'd`Uzcb
-)" Dc]WU

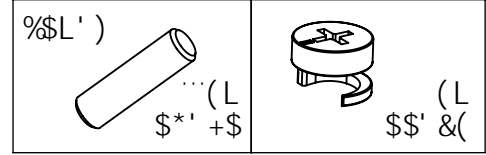
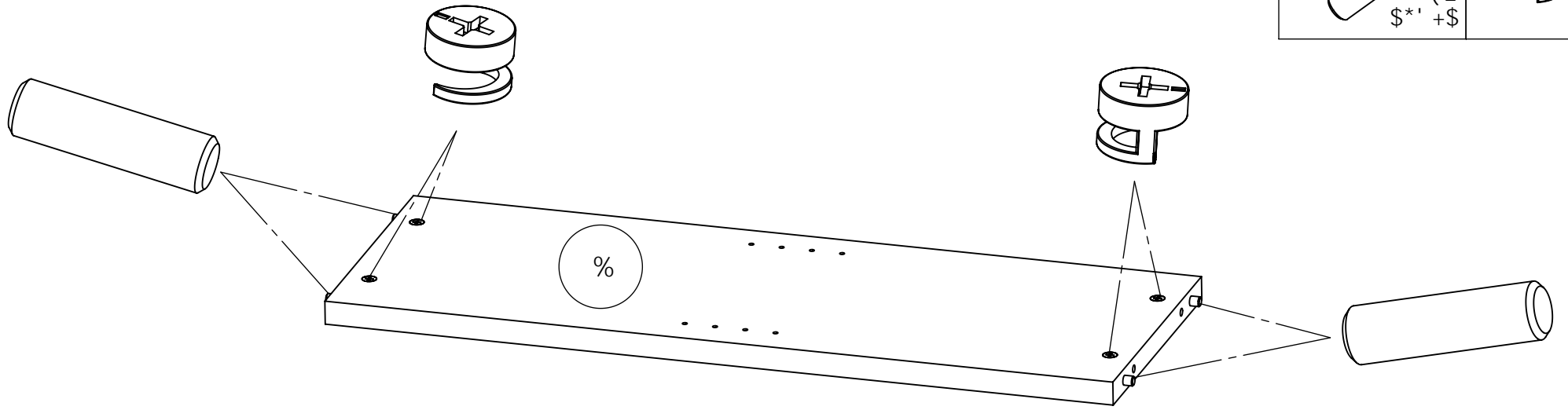
- %_ca
- %_ca
- %_ca
- &_ca
- &_ca



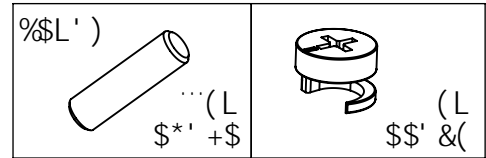
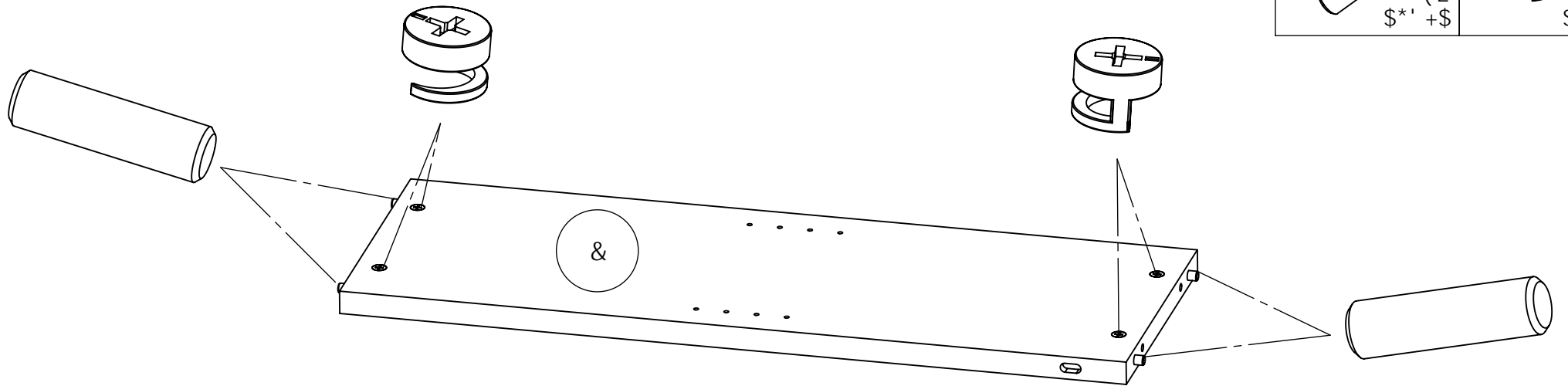
&L \$\$' +,	&L \$\$' ++	&L \$\$' +*	(L \$\$&' (%&L \$\$' &(
%&L \$\$' &'	, L \$\$% &	%&L \$*' +\$	(L \$%(&)	%&L \$' &\$
, L \$\$&' '	%&L \$\$((+	%&L \$\$%*\$ \$		

DC @ 5F - \$L - \$'C HJ C F 9B =H99B G

%

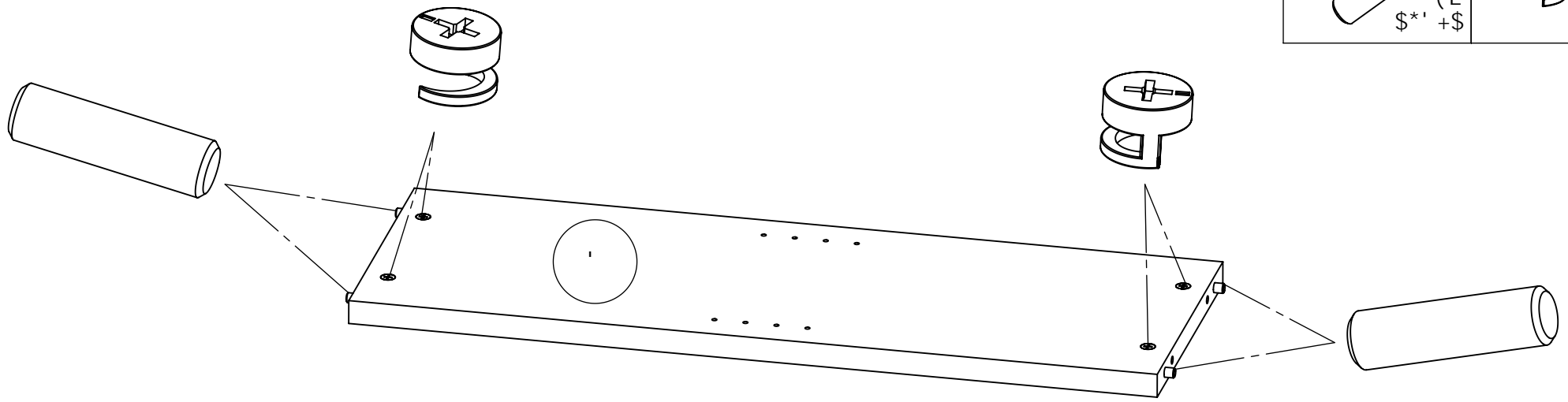
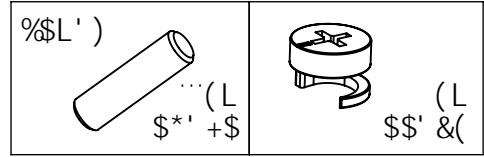


&



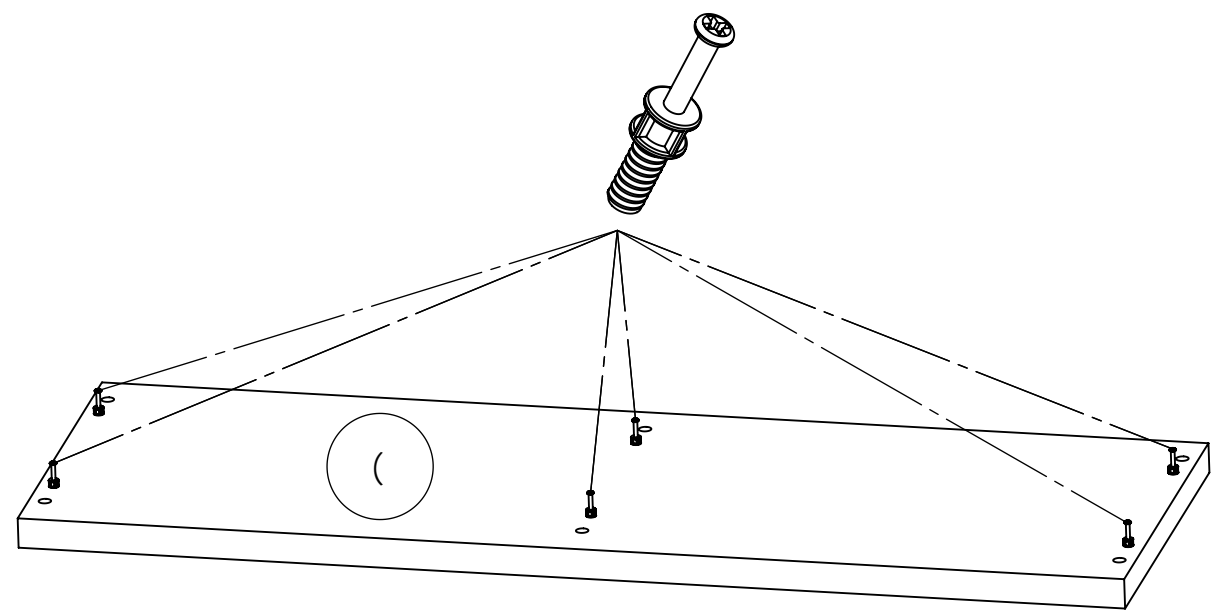
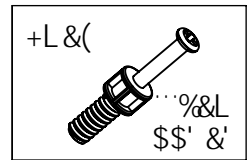
DC @ 5F - \$L - \$'C HJ C F 9B =H99B G

I



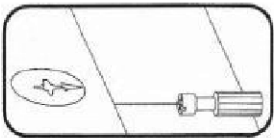
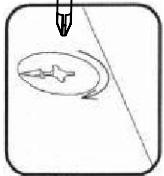
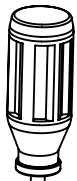
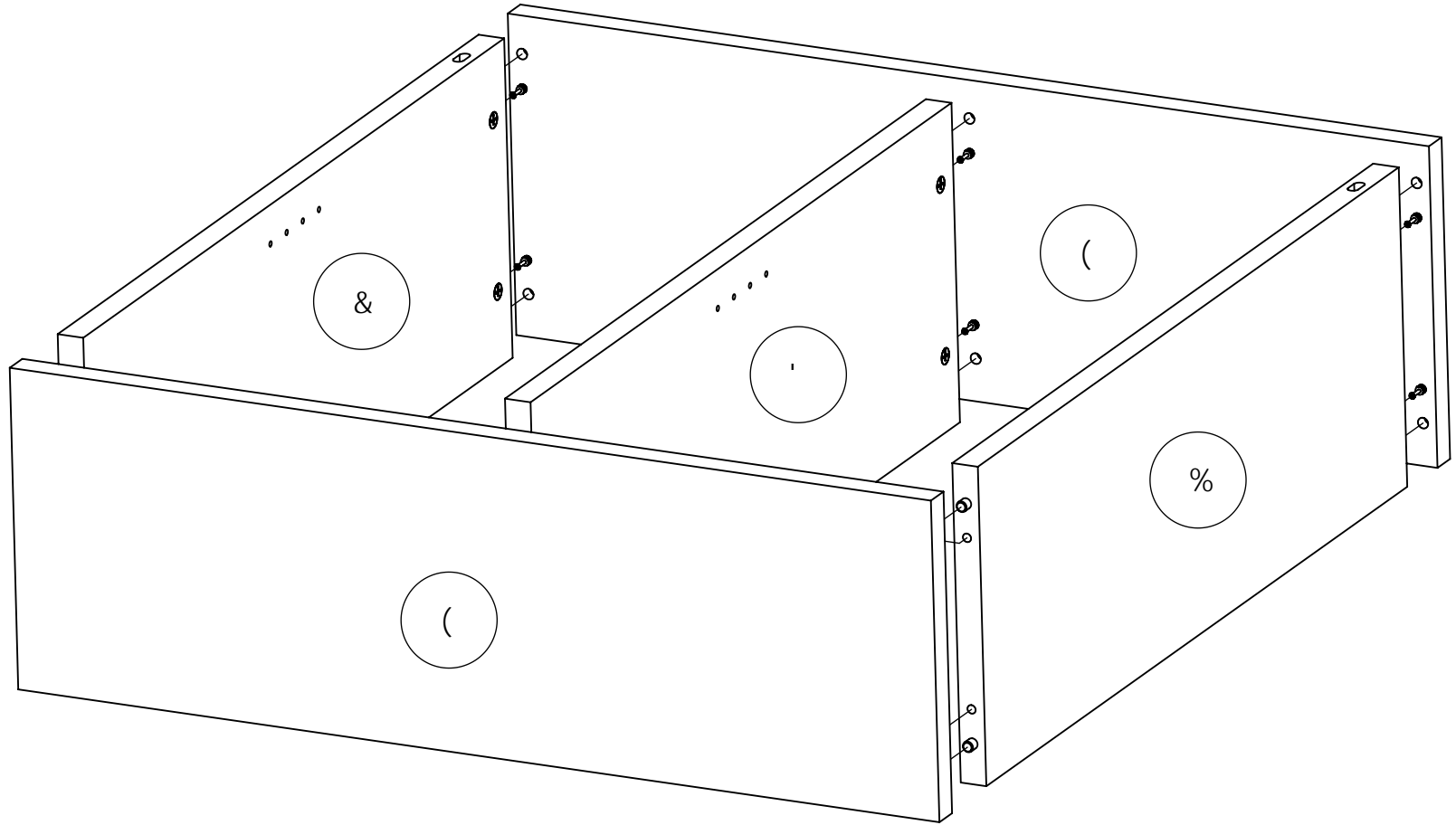
(

&L



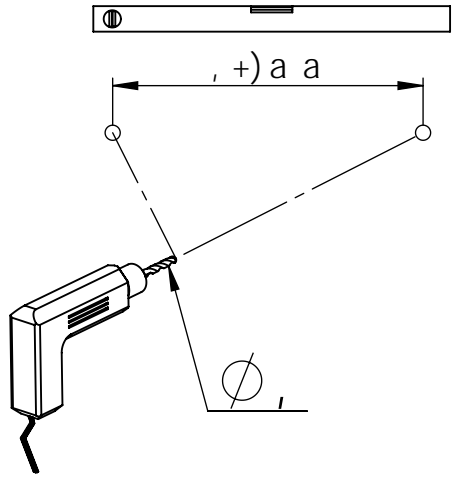
DC @ 5F - \$L - \$'C HJ C F 9B =H99B G

)

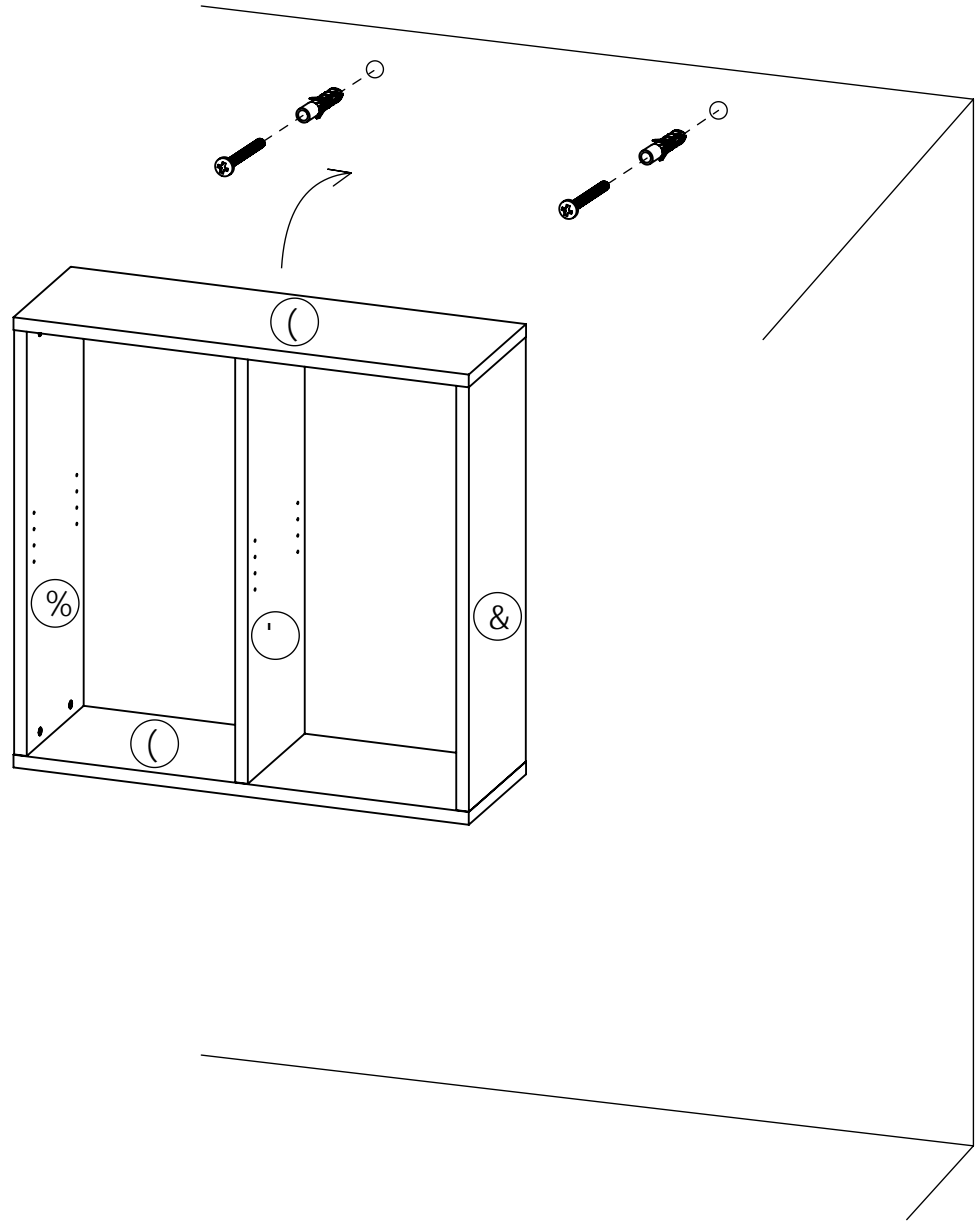
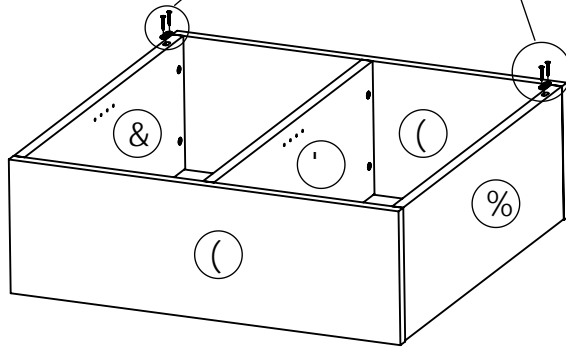
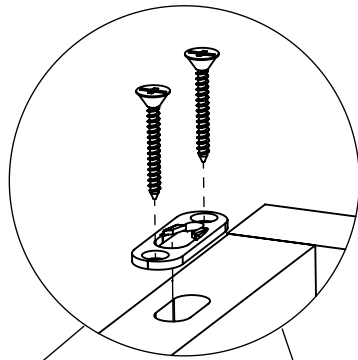
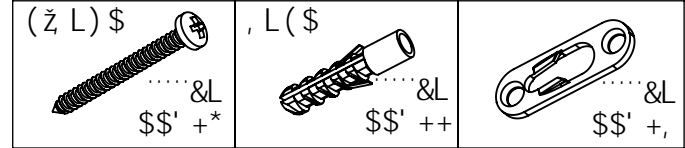


DC @ 5F - \$L - \$'C HJ C F 9B =H99BG

*



J €9 =

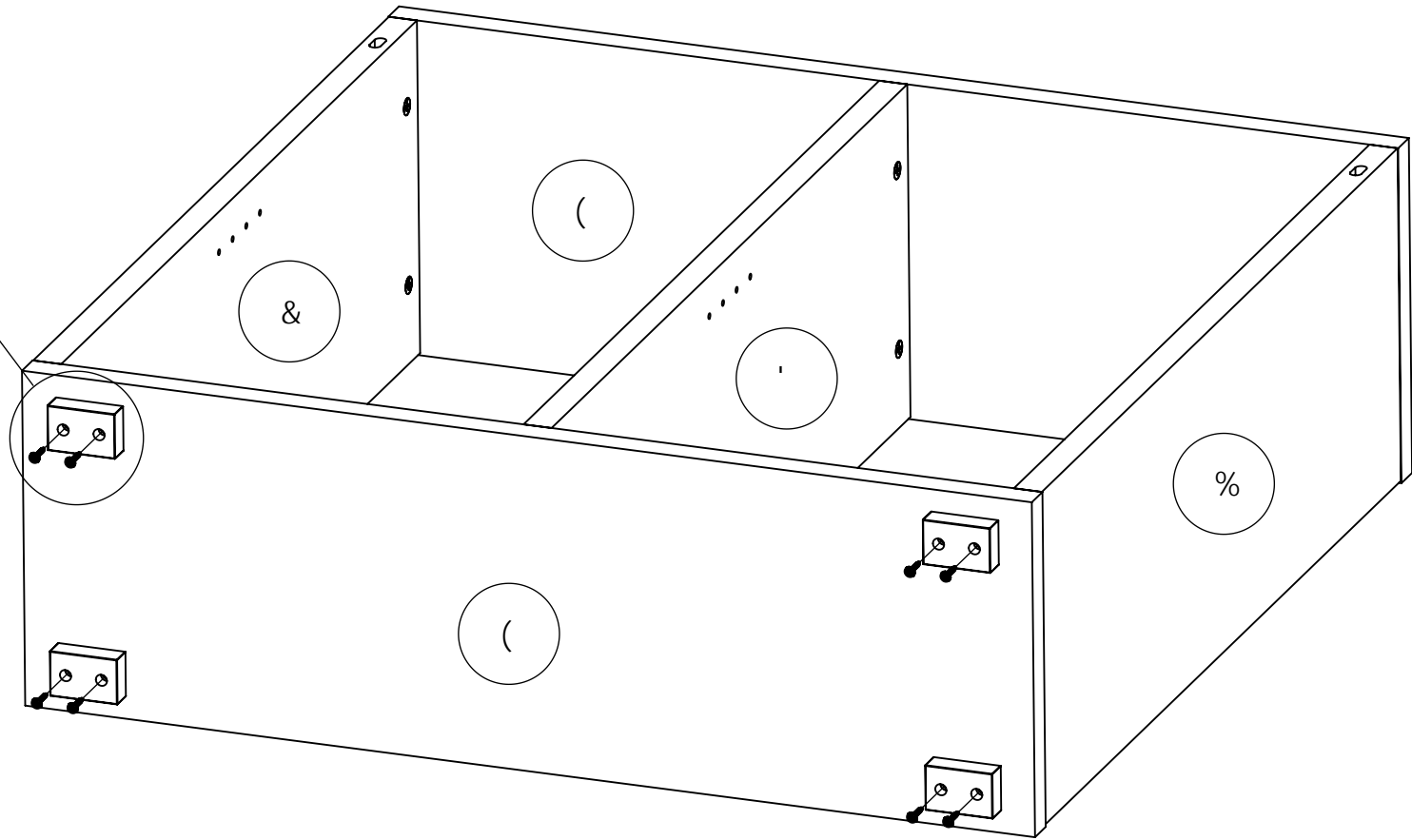
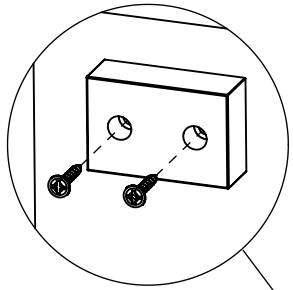
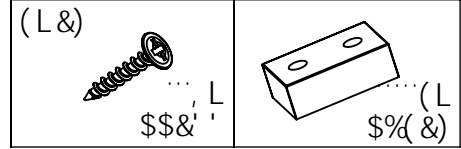


DC @= 5F' - \$L - \$'C HJ C F 9B =H99B G

*



GHC >9 =



DC @ 5F - \$L - \$'C HJ C F 9B =H99BG

+

