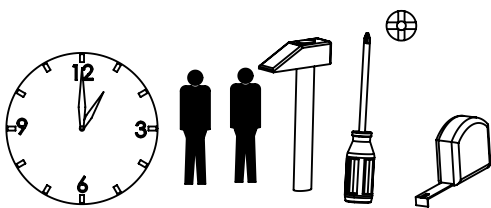
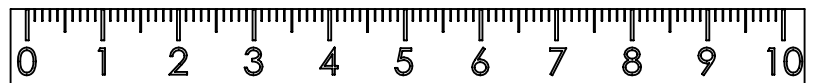
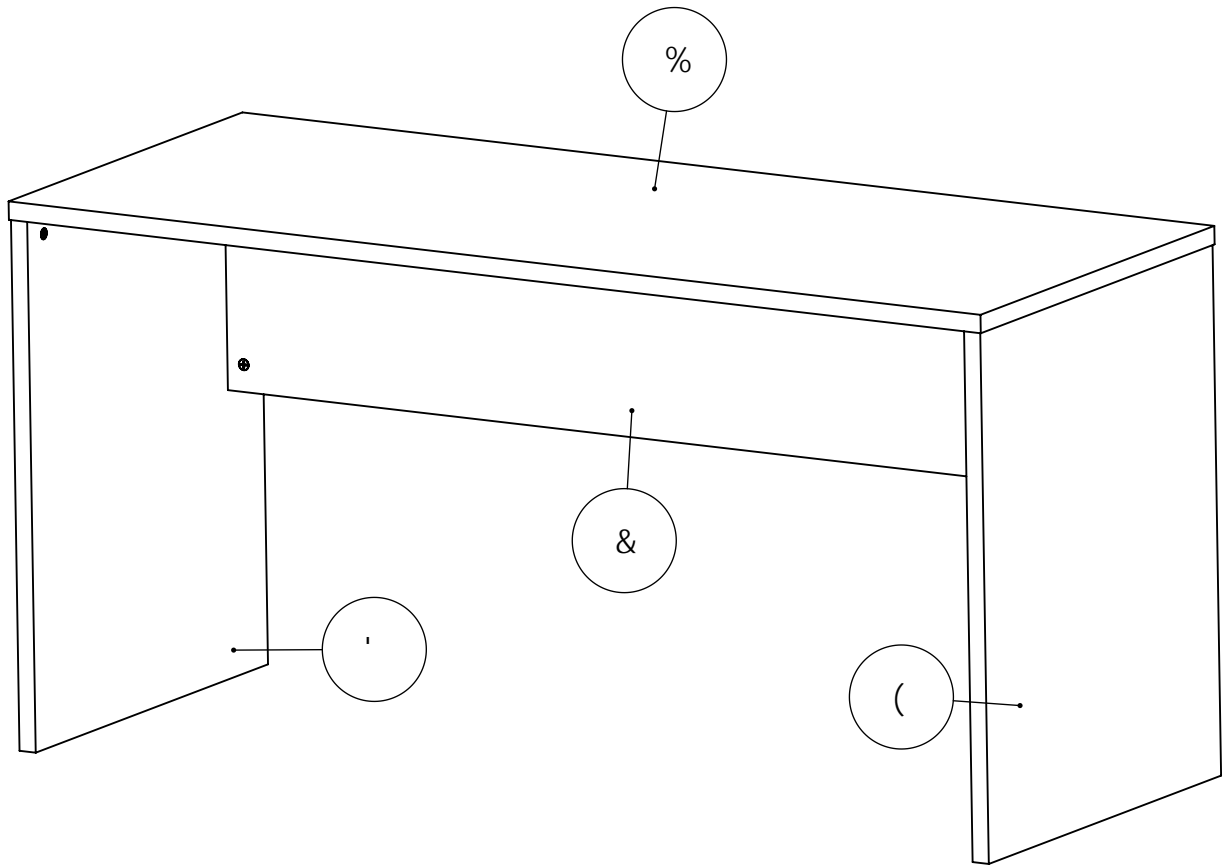


D-G5 =GHC @% \$ H99BG

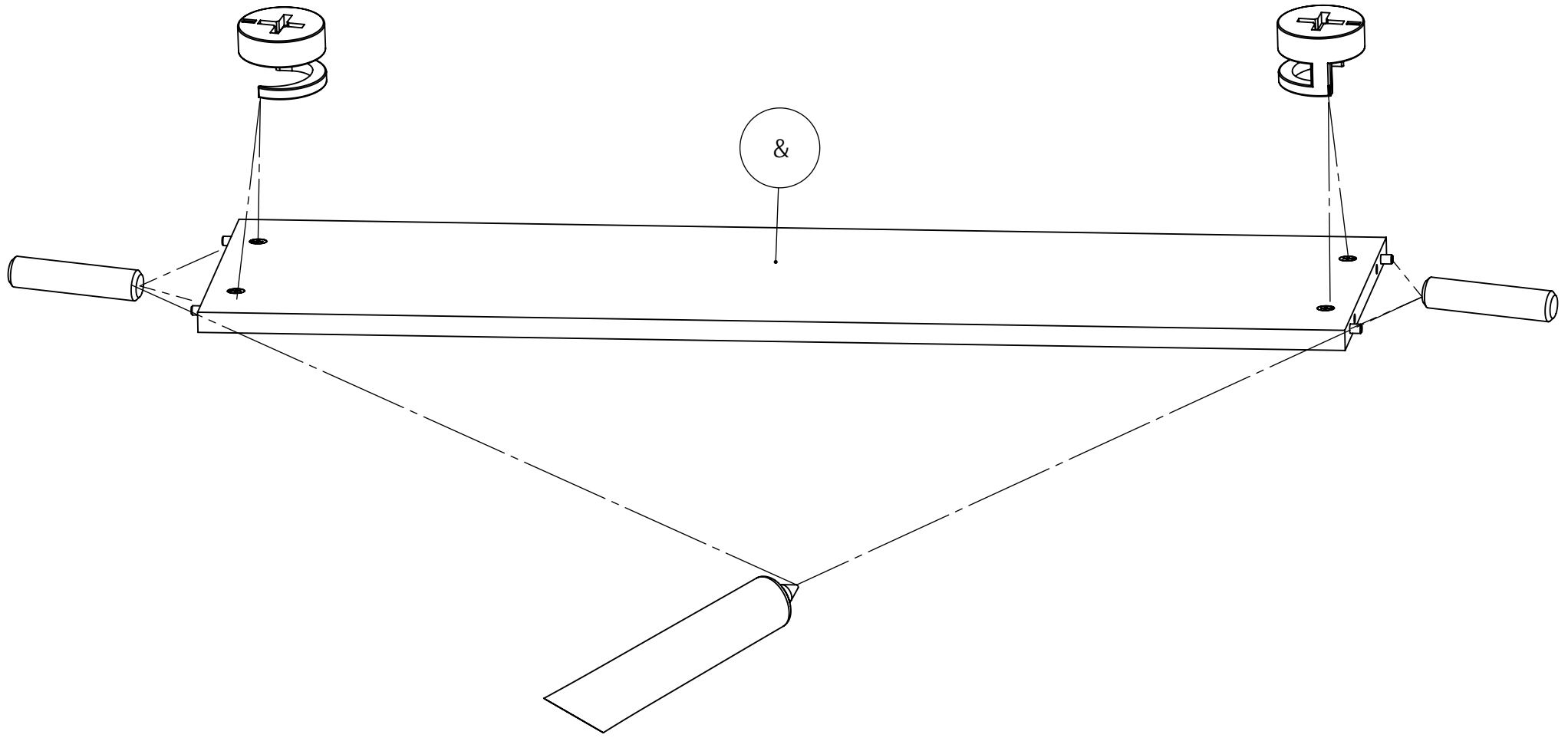
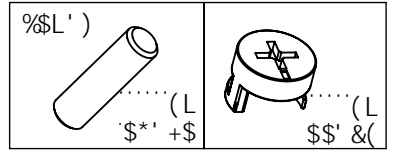


	8 A	_ca	dU_
%"	% \$ \$L * \$ \$	%	%
&"	% (* L ' ' \$	%	%
' "	+ & \$L) - *	%	%
("	+ & \$L) - *	%	%

<p>%)\$L') L \$*' + \$</p>	<p>+L & (.....%\$L \$\$' & (</p>	<p>+L & (.....%\$L \$\$' & '</p>
<p>.....(L \$*%))</p>	<p>.....%L \$\$ ((+</p>	<p>.....(L \$%* - % %%% +'</p>
<p>.....%L \$\$%*\$ \$</p>		

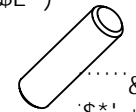
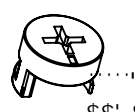
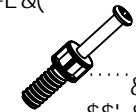
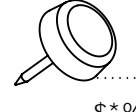
D-G5 =GHC @%) \$'H99BG

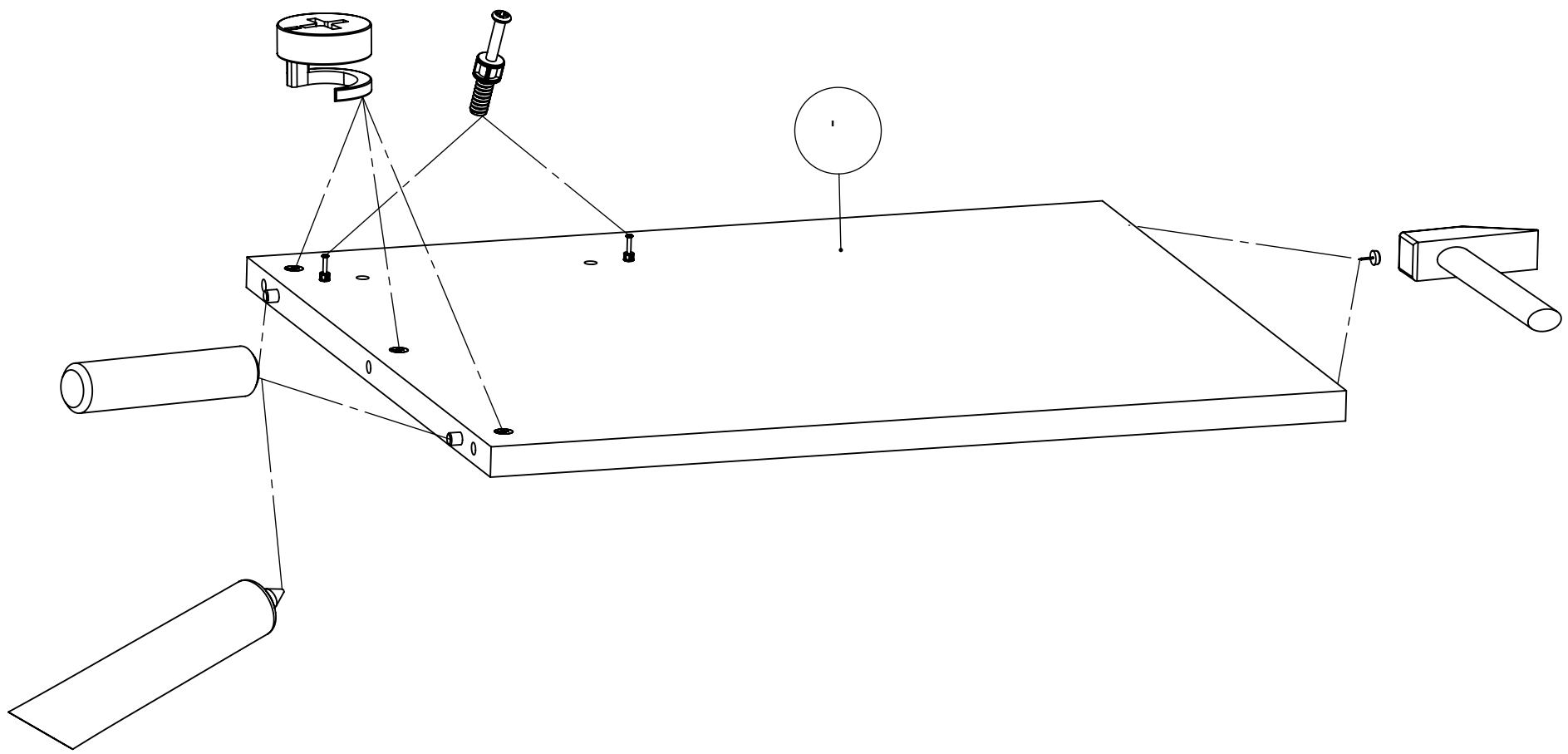
%"



D-G5 =GHC @% \$'H99BG

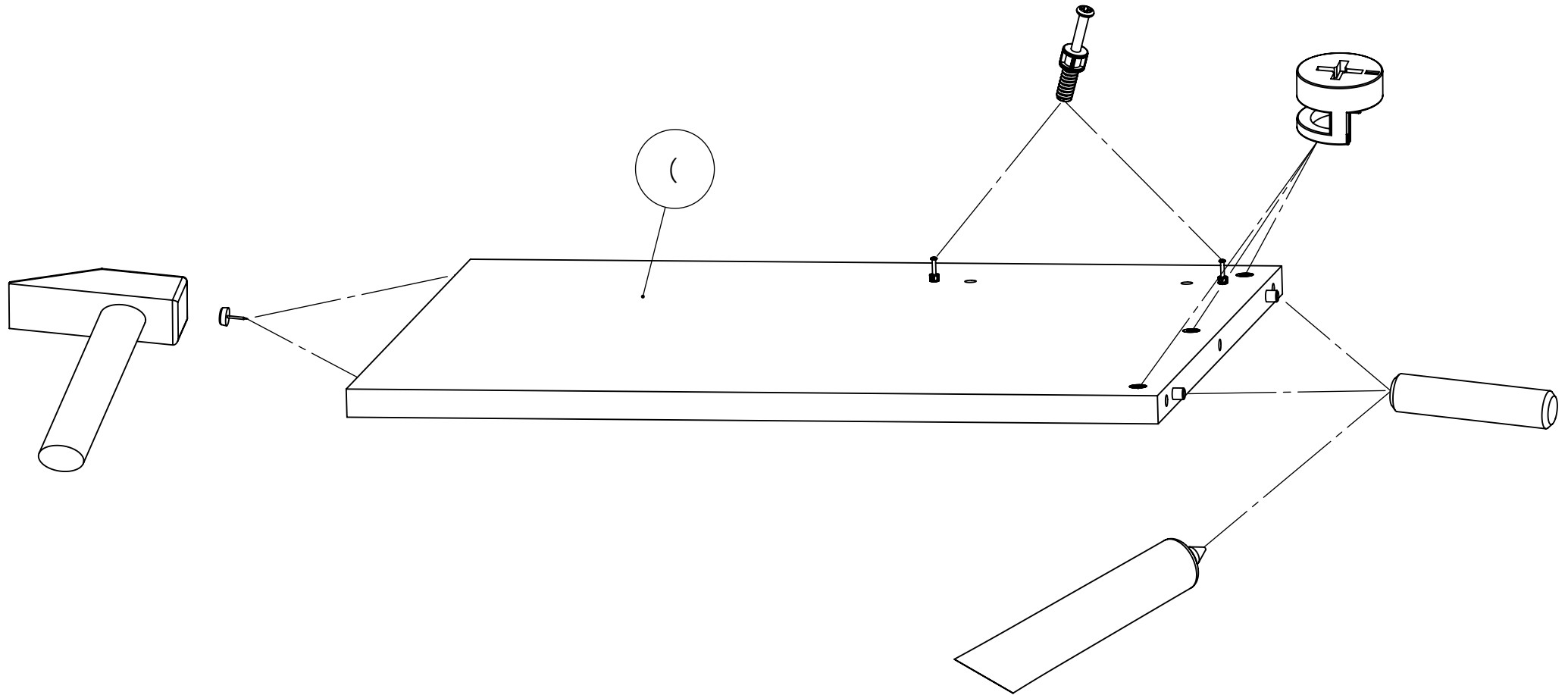
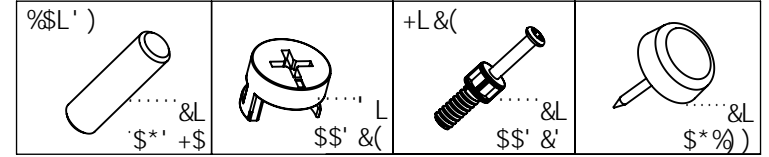
&"

 <p>%\$L')&L \$*' +\$</p>	 <p>.....L \$\$' &(</p>	 <p>+L&(.....&L \$\$' &'</p>	 <p>.....&L \$*%)</p>
---	--	--	---



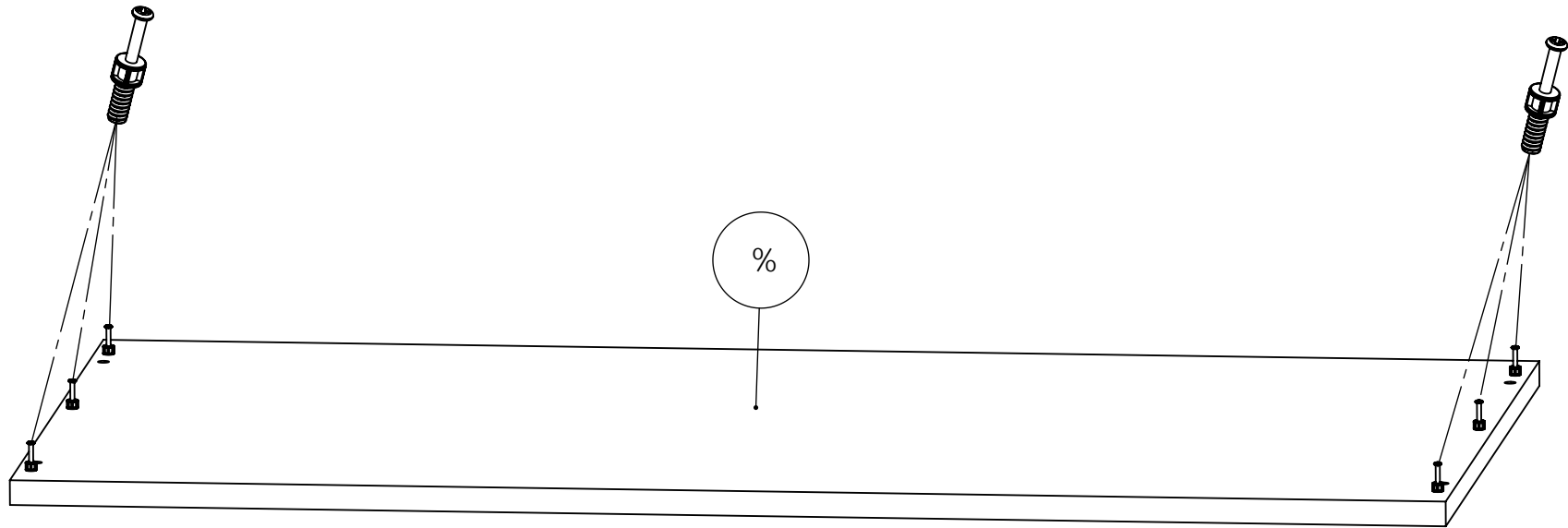
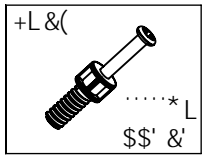
D-G5 =GHC @% \$ 'H99BG

I II

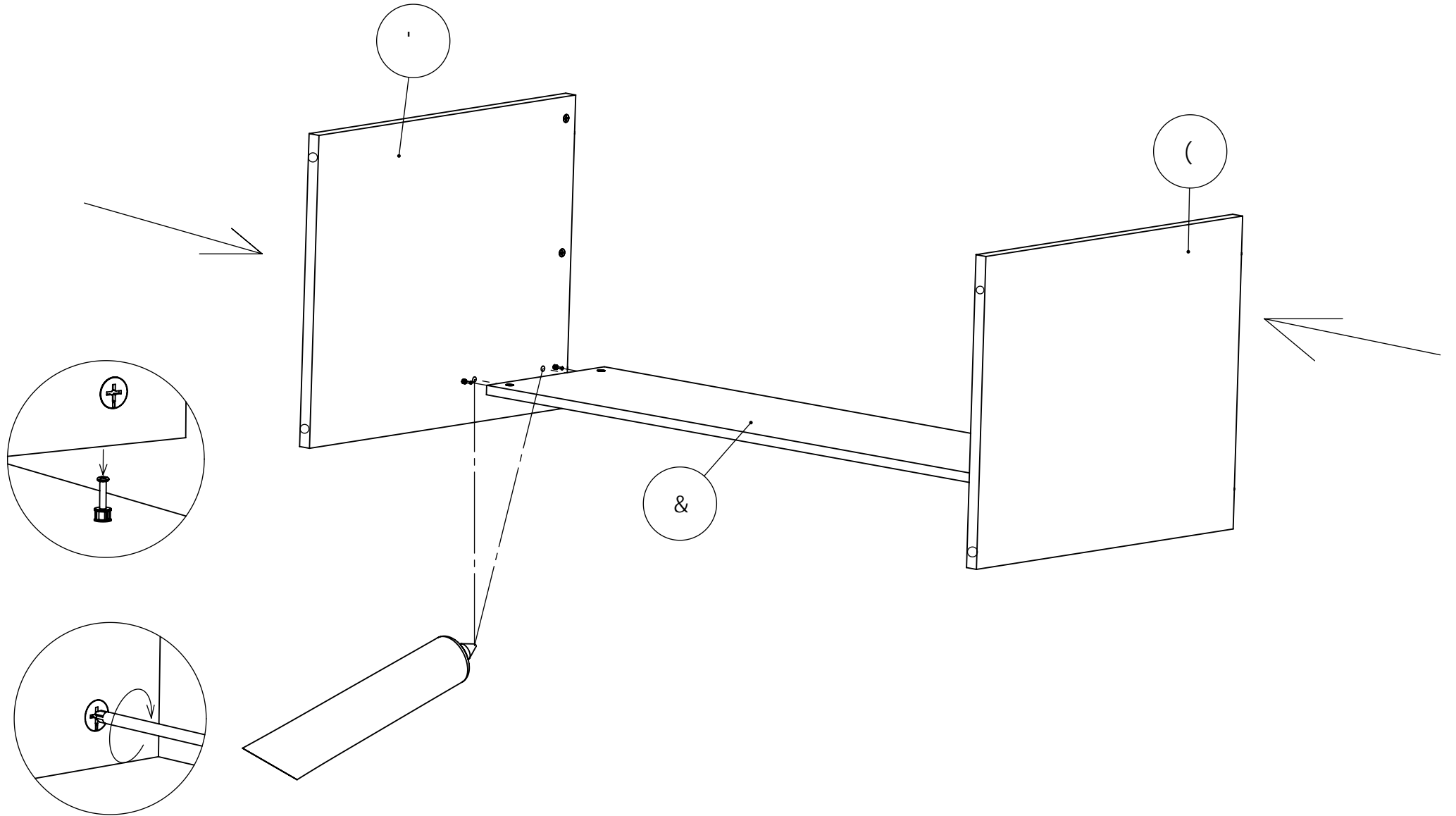


D-G5 =GHC @% \$'H99BG

("

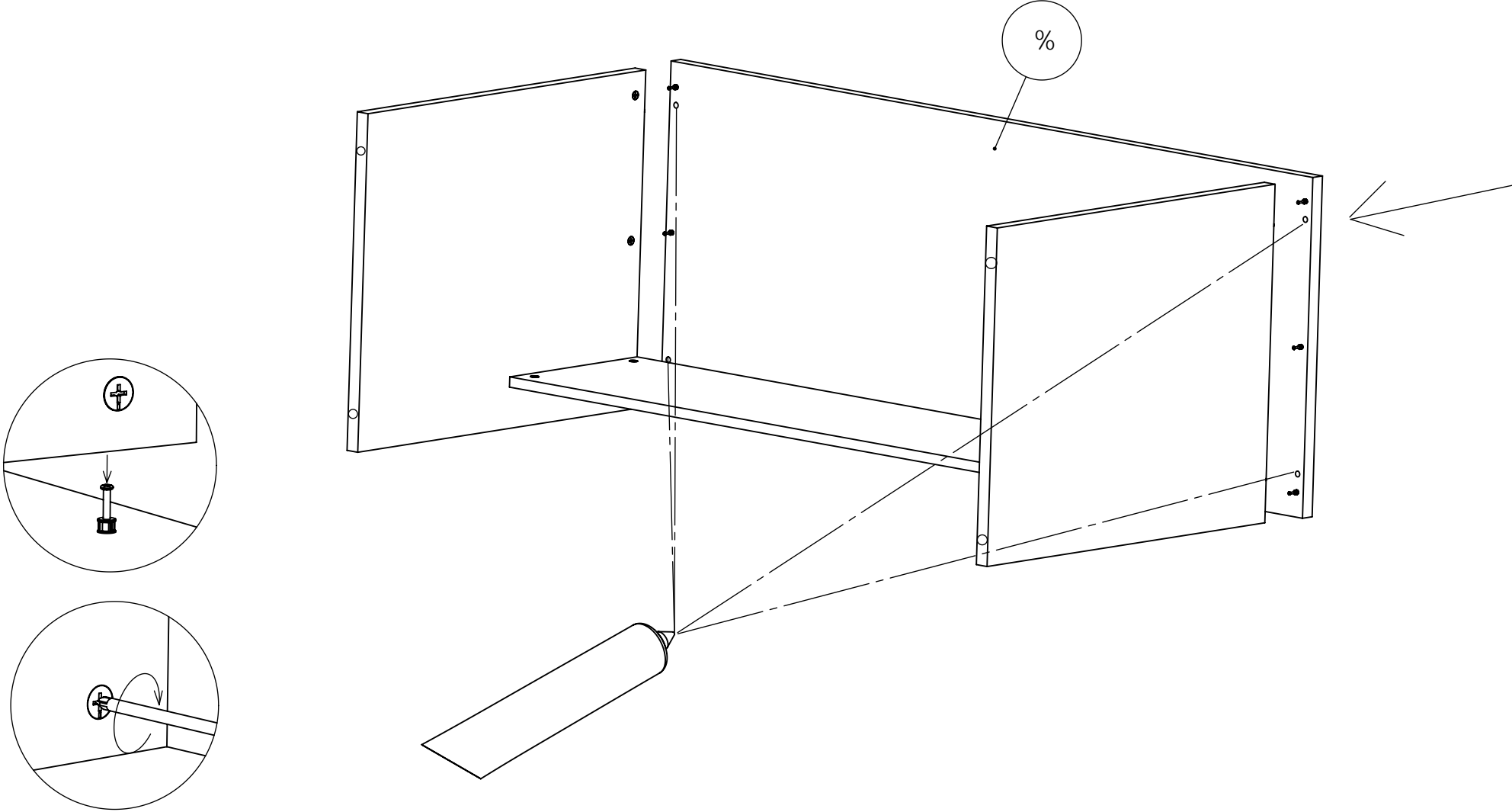


) "



D-G5 =GHC @% \$'H99BG

* II



D-G5 =GHC @% \$'H99BG

+''

