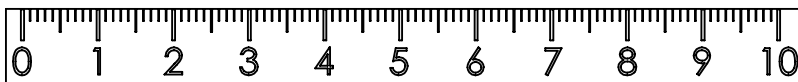
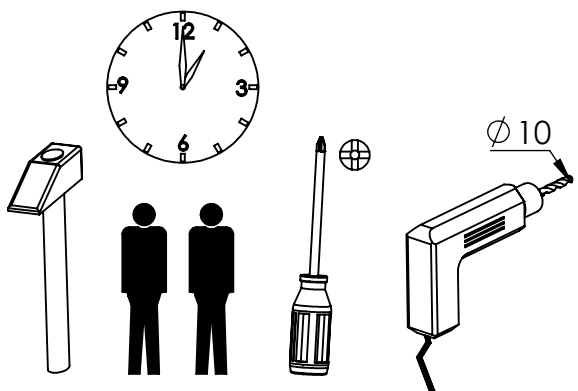
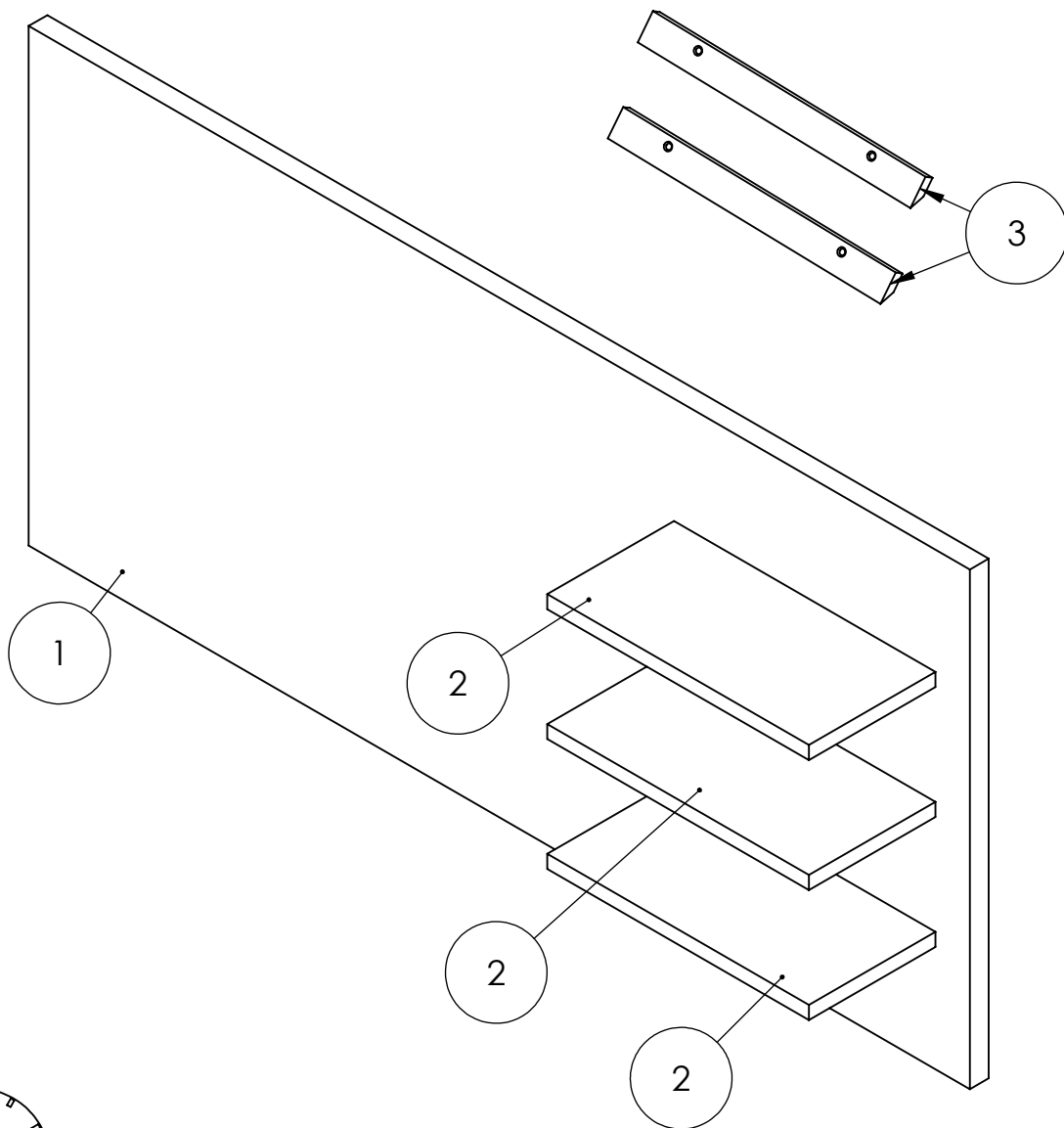
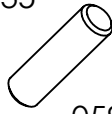
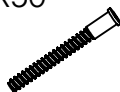

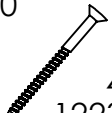


**PORTA ZIDNA OBLOGA 180x86**



	DIM	kom	pak
1.	1800x860	1	1
2.	500x242	3	1
3.	440x43x17	2	1

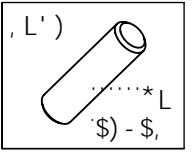
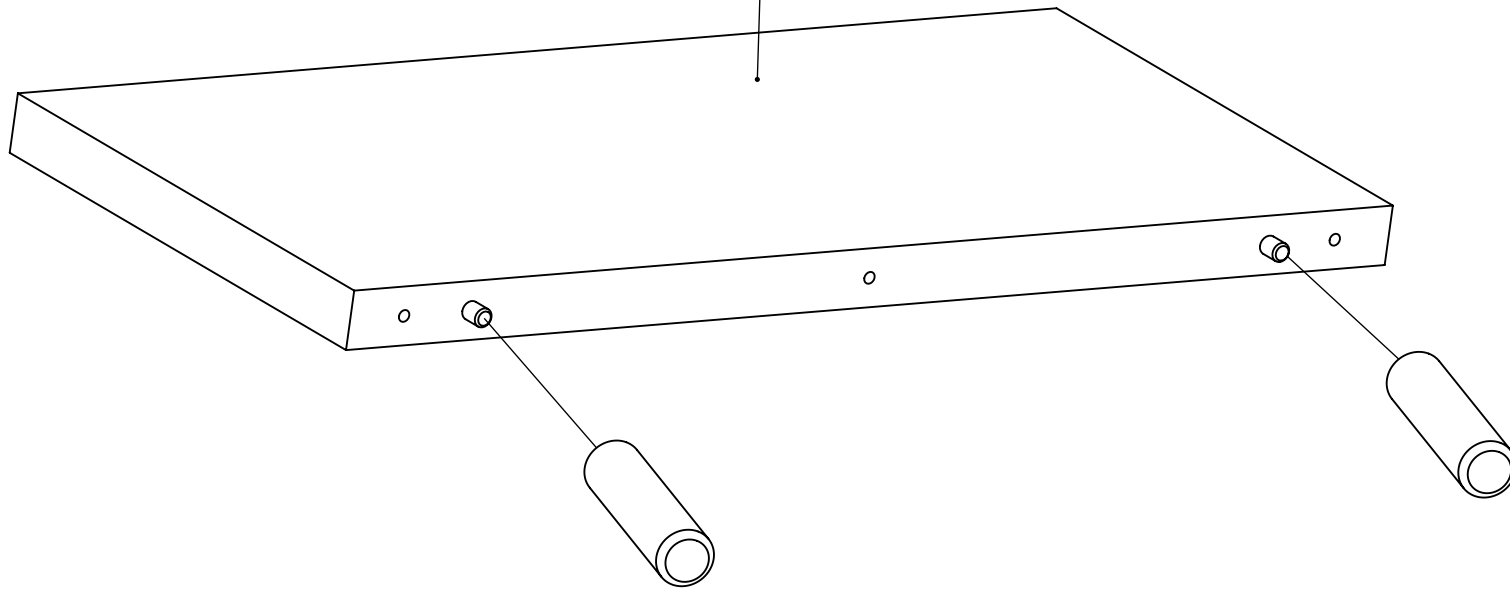
8X35  6X 05908	7X50  9X 00161	10X50  4X 05090
6X90  4X 12239		

DC FH5 N8B5 C6@; 5% \$L, \*

0/0

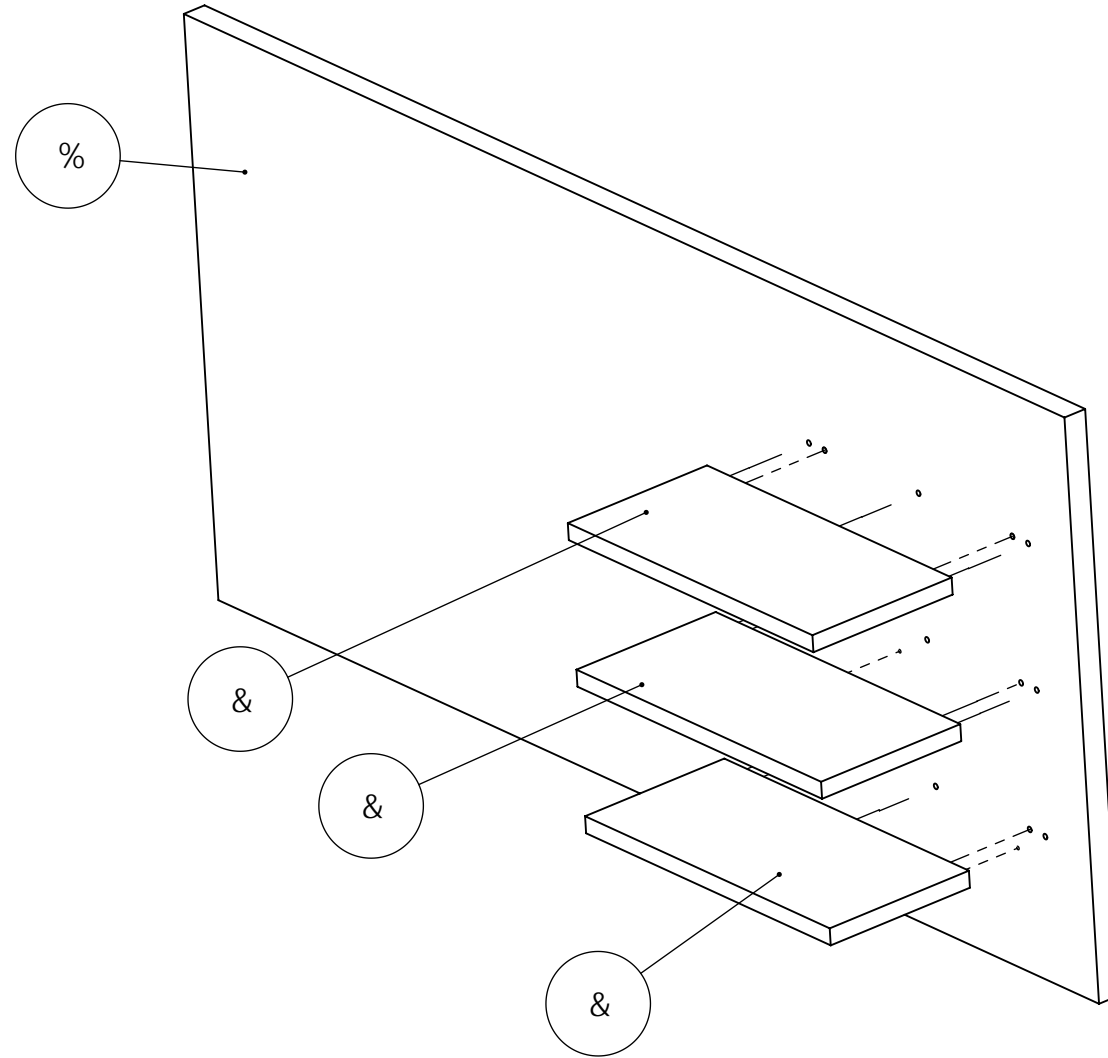
L'

&



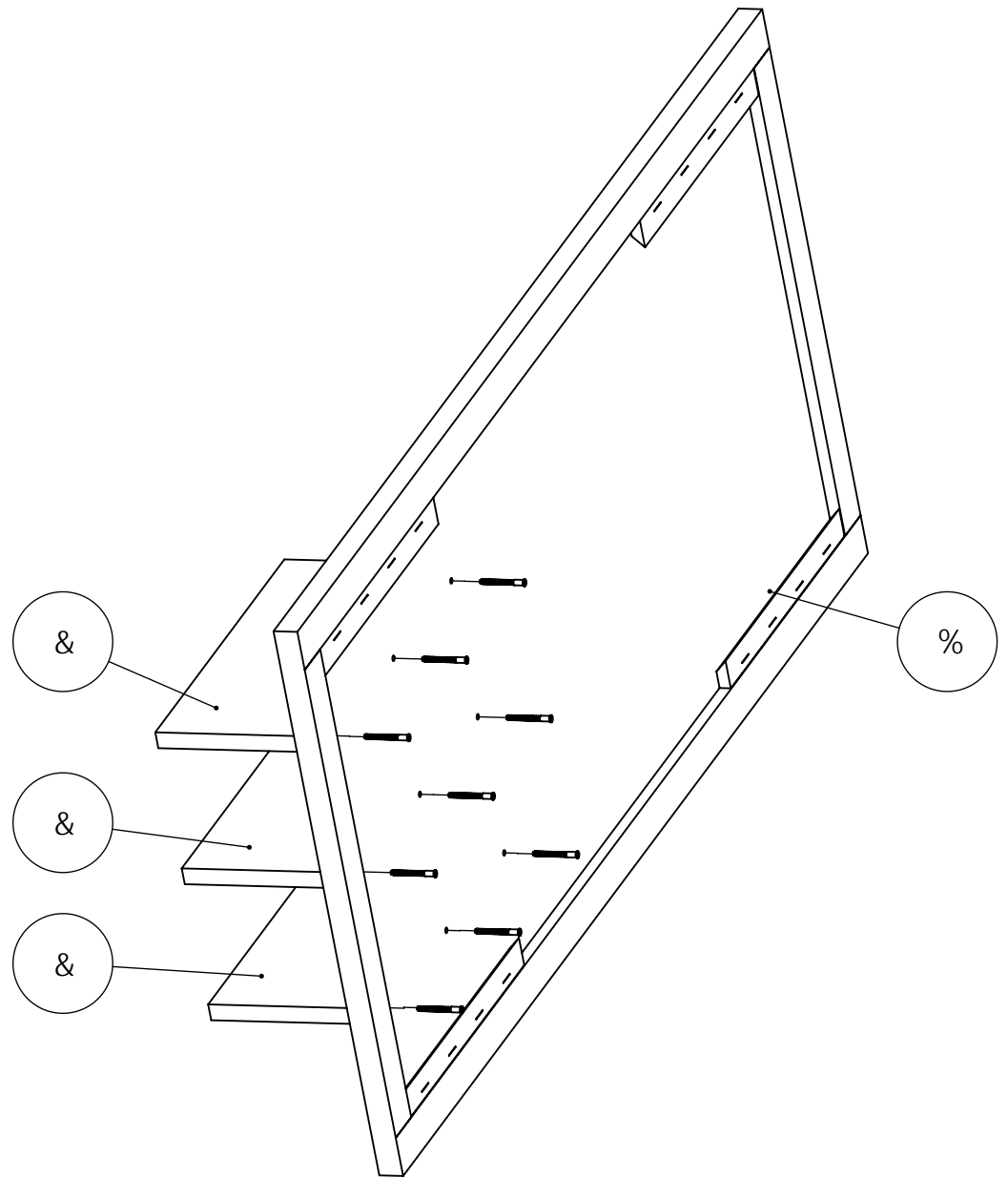
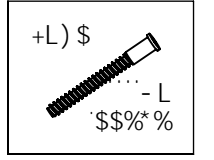
DC FH5 N8B5 C 6@C; 5 % \$L, \*

&"

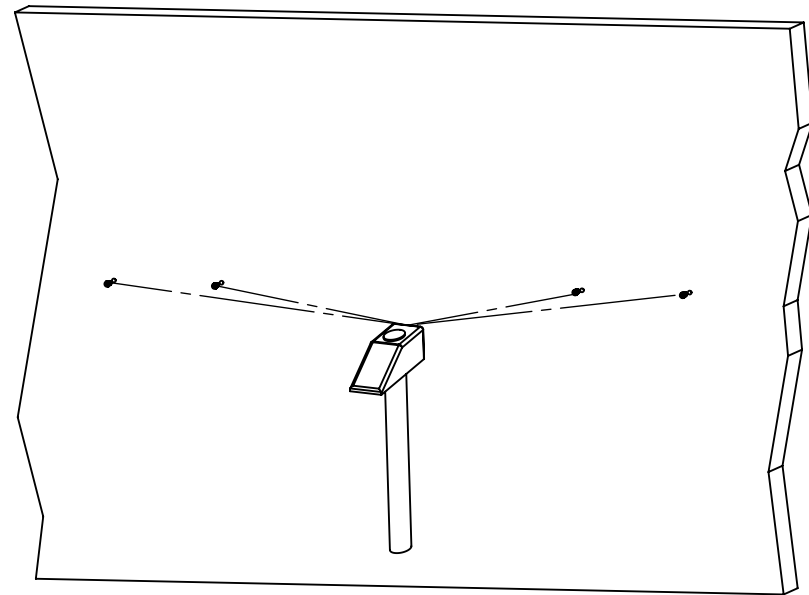
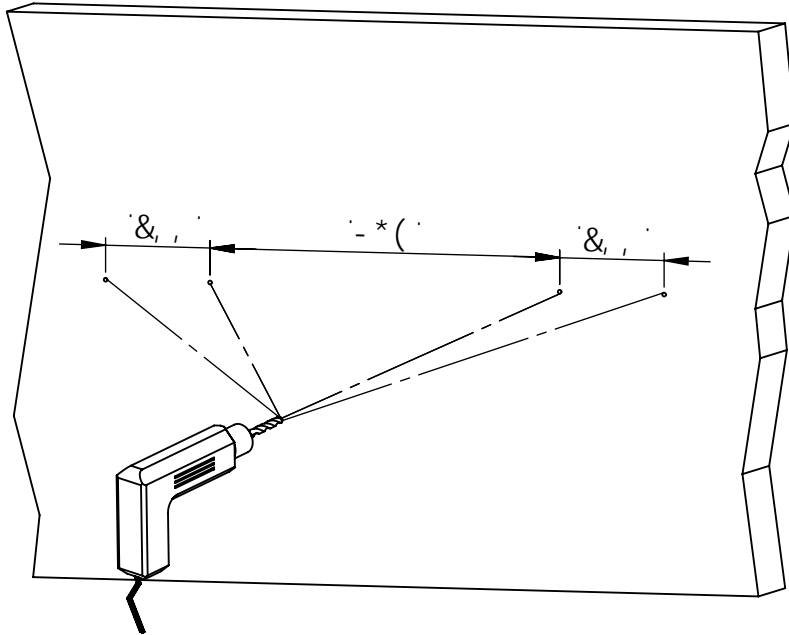
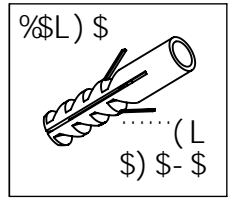


# DC FH5 N8B5 C 6@; 5 % \$L, \*

I II

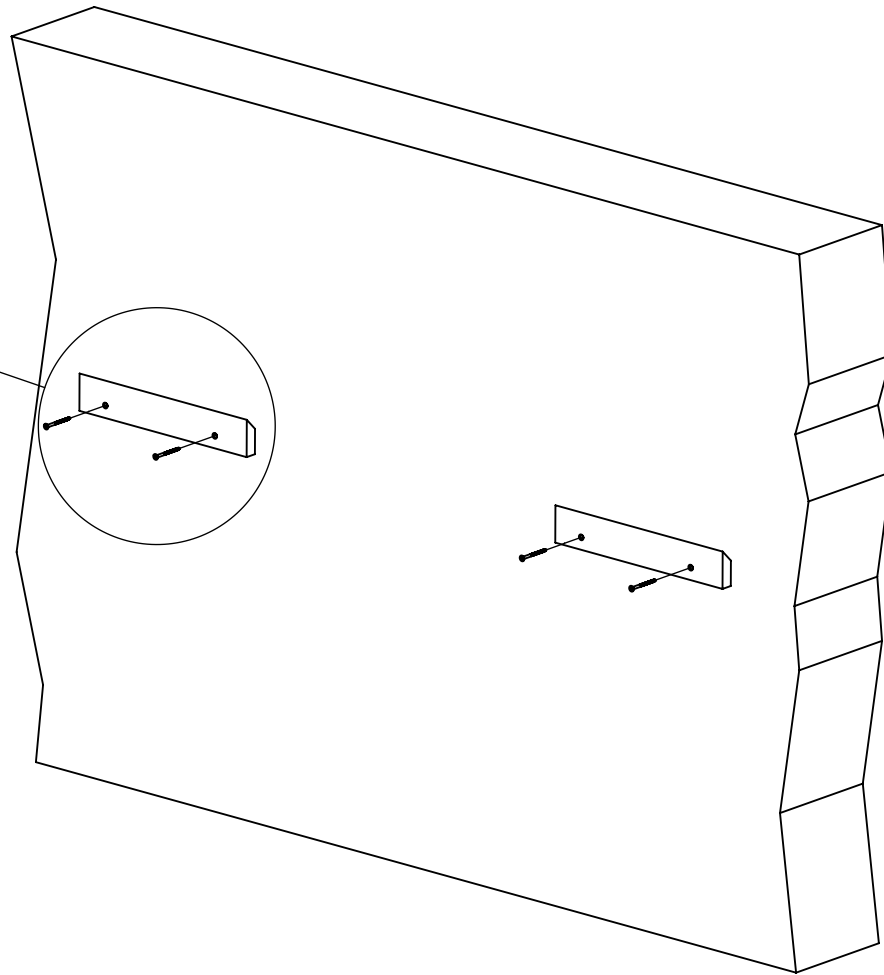
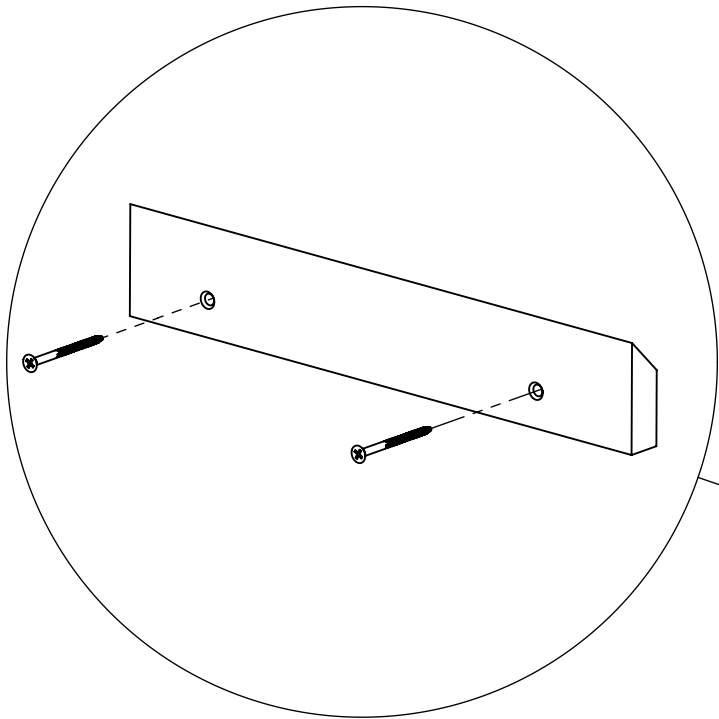
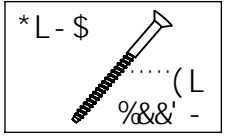


( "



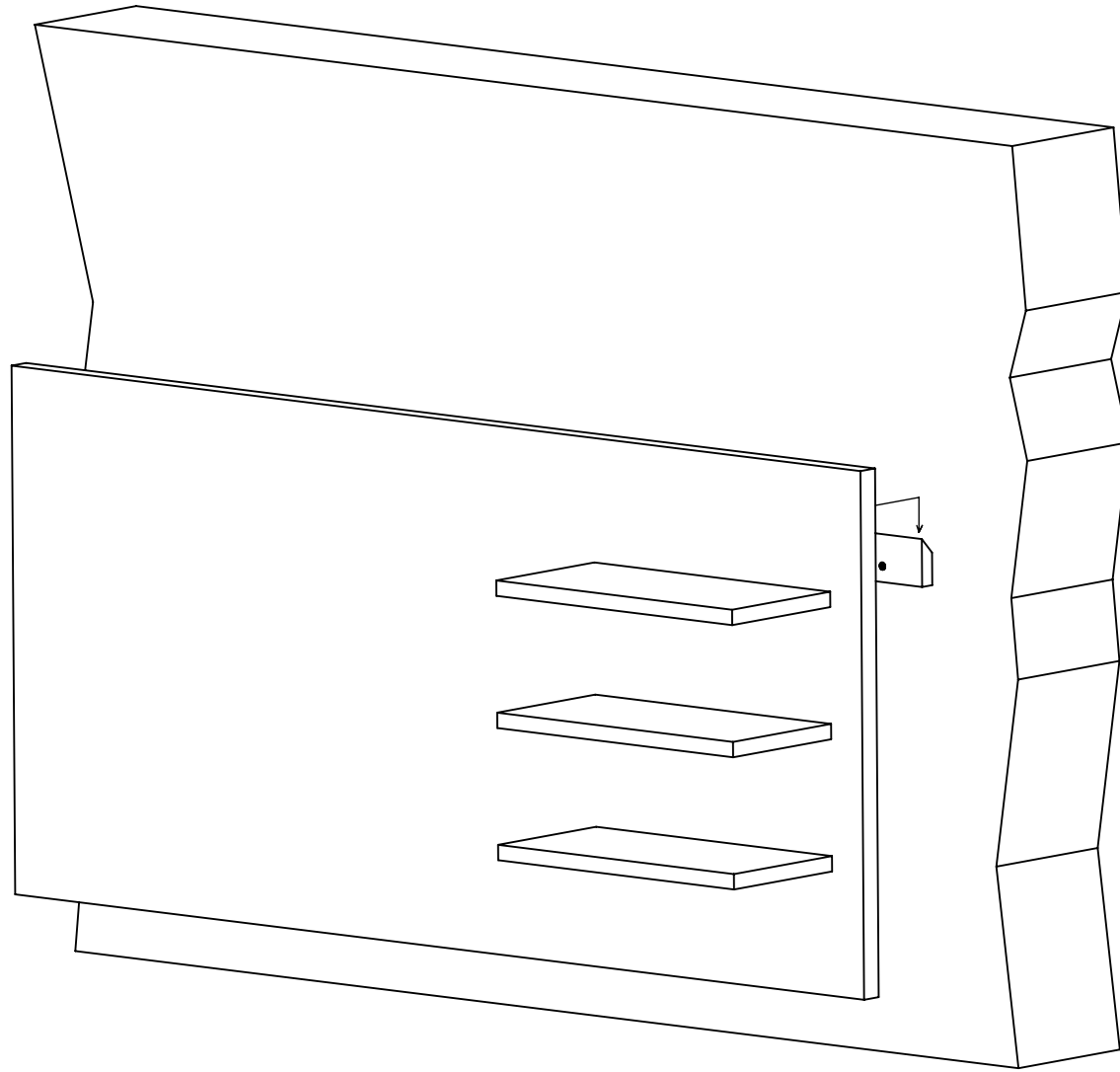
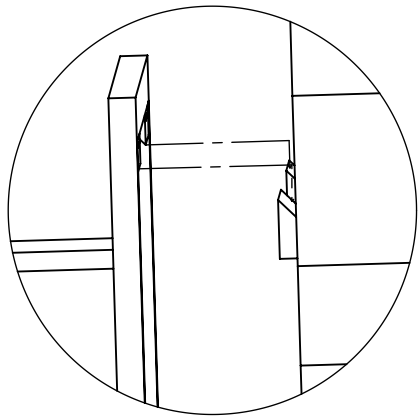
DC FH5 N8B5 C 6@C; 5 % \$I , \*

) "



DC FH5 N8B5 C6@C; 5 % \$I , \*

\* II



DC FH5 N8B5 C 6@C; 5 % \$I , \*

+''

